

# VitrA

## VitrA V-Care Smart Toilet

The ultimate personal hygiene experience



# VitruA

We progressively invest in essentially  
human spaces - the bathrooms.



### **The complete bathroom**

Exploring physical and emotional needs, Vitra invests in design to produce every essential element in the bathroom.



### **It's all about inspiration**

It all begins with questions posed by the design discipline to understand needs, desires and choices. Designed by Vitra, an extraordinary wealth of attractive combinations help satisfy these needs and desires.



### **High powered perfection**

Seven cutting-edge factories and plants in Turkey and Russia create sophisticated designs and maintain extremely high standards whilst progressively reducing Vitra's ecological footprint.



### **Collaboration with designers**

Vitra works with acclaimed industrial designers from around the world. Not only does the collaboration with these top talents improve product functionality, but it also introduces an entirely original range.



### **Vitra across the world**

Bathroom designs greet customers around the world through 2000 sales points in over 75 countries, including 150 exclusive Vitra showrooms in Istanbul, London, Cologne, Moscow, Dubai, Mumbai, Delhi, and other major cities.



### **Technology lights up the future**

The Vitra Innovation Centre serves as the headquarters of the brand's R&D activities with a strong engineering team, leading the bathroom industry with new solutions and technologies.



### **Improved personal hygiene**

Vitra's continuous research into human health introduces new technologies for improved hygiene in the bathroom. These solutions raise the personal hygiene experience to a new level.



### **A pledge to the future**

Vitra embraces Blue Life, a set of guidelines devised to mitigate our impact on the environment, and is held as a production, design and management philosophy.





## Water directed by technology

Our toilets with an integrated bidet function provide gentle and thorough personal water-based cleansing, while also reducing the amount of toilet paper you use. Personal cleansing with water offers more effective hygiene without irritating your skin, compared to using toilet paper. In addition to the relaxing and hygienic features of the Vitra V-Care series, it also takes your toilet experience to the next level with its heated seat, dryer, and control numerous features controlled via remote or mobile app.





VitrA V-Care Smart Toilets offer the best options to answer your water-based cleansing needs, with three variants: Prime, Comfort and Basic.



Prime





Comfort



Basic

# A smart toilet engineered as a design icon

Designed by Arik Levy in collaboration with the Design Studio Vitra and Innovation Center, the V-Care Smart Toilet Prime exemplifies the perfect integration of bathroom design and sophisticated technology, which pampers while it delivers the ultimate in personal hygiene.



# Prime







The V-Care Smart Toilet Prime is available in two variants: wall-hung and floor-standing

# V-Care Smart Toilet Prime

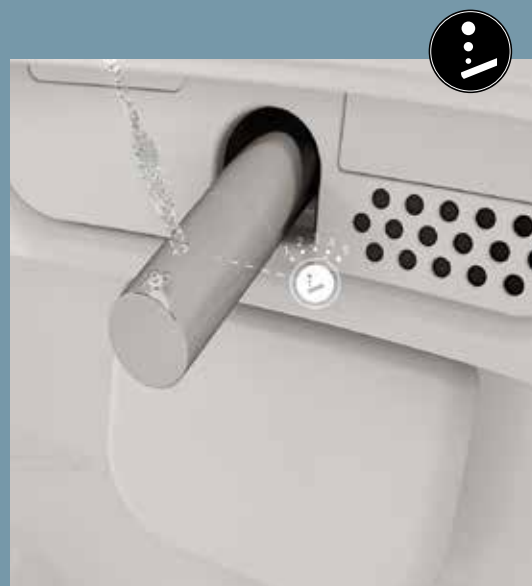
## Personal hygiene features

Every detail is designed for personal hygiene and well-being.



### Front and rear wash

The nozzle produces a rear wash suitable for all, as well as a gentler front wash as a bidet for women.



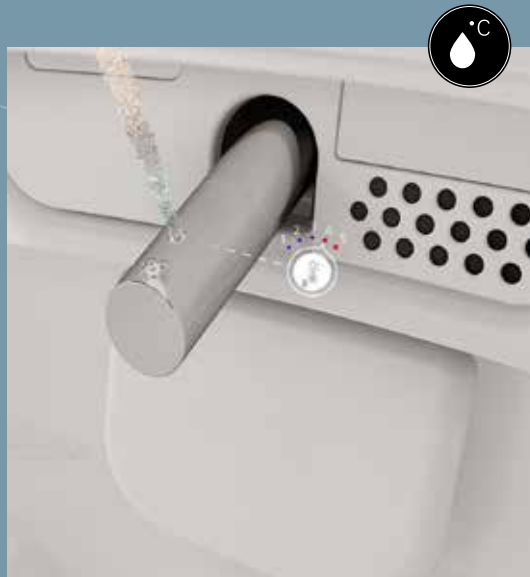
### Adjustable water pressure

Five different levels of water pressure offer a thorough and pampering wash.



### Adjustable nozzle position

Perfect cleansing by adjusting the nozzle back and forth.



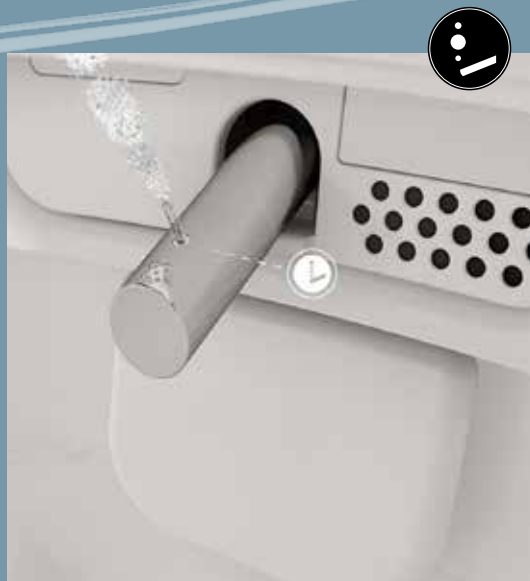
### Adjustable water temperature

Five different water temperature settings offer a more comfortable cleansing ritual.



### Oscillating wash

The bidet nozzle moves back and forth for a thorough clean over a larger area.



### Massage wash

The water pressure alternates between gentle and firm for a massaging wash.

# V-Care Smart Toilet Prime Comfort features

Every detail is designed for comfort.



## Adjustable seat temperature

The seat has a choice of five temperature settings to complete your comfort.



## Dryer and adjustable air temperature

After washing, the warm-air dryer provides fast and gentle drying. Also, free yourself from toilet roll. Five different levels of air temperature settings offer more comfortable drying.





### Auto open/close lid

The motion sensor automatically raises the lid on detecting your approach, eliminating the need to touch it.



### Open/close lid and seat

The lid and seat can also be opened and closed by remote control or mobile app, with no need to touch the seat.



### Air purification

Thanks to powerful deodoriser filters, the air is freshened around the toilet.



### Night light

The LED night light is automatically activated when the ambient light levels fall.

# Comfort at your fingertips

VitrA V-Care Smart Toilet Prime enhances your toilet experience with technology, including remote control and a mobile app. It provides full control of your hygiene with its touch-free use and keeps your personalised settings for V-Care in the app.





# A fully customisable hygiene experience

Designed by Noa in collaboration with the Design Studio Vitra and Innovation Center, the V-Care Smart Toilet offers you a user-friendly and fully customisable personal hygiene experience. The V-Care Smart Toilet is available in two variants: Comfort and Basic

## Comfort & Basic





VitrA  
V-Care Smart Toilet  
Comfort & Basic features



## Basic version



## Comfort version



# Features to perfect experience

VitrA's standards exist to advance and enhance your toilet experience.



## VitrA Hygiene





VitrA Rim-ex



VitrA Concealed  
Installation



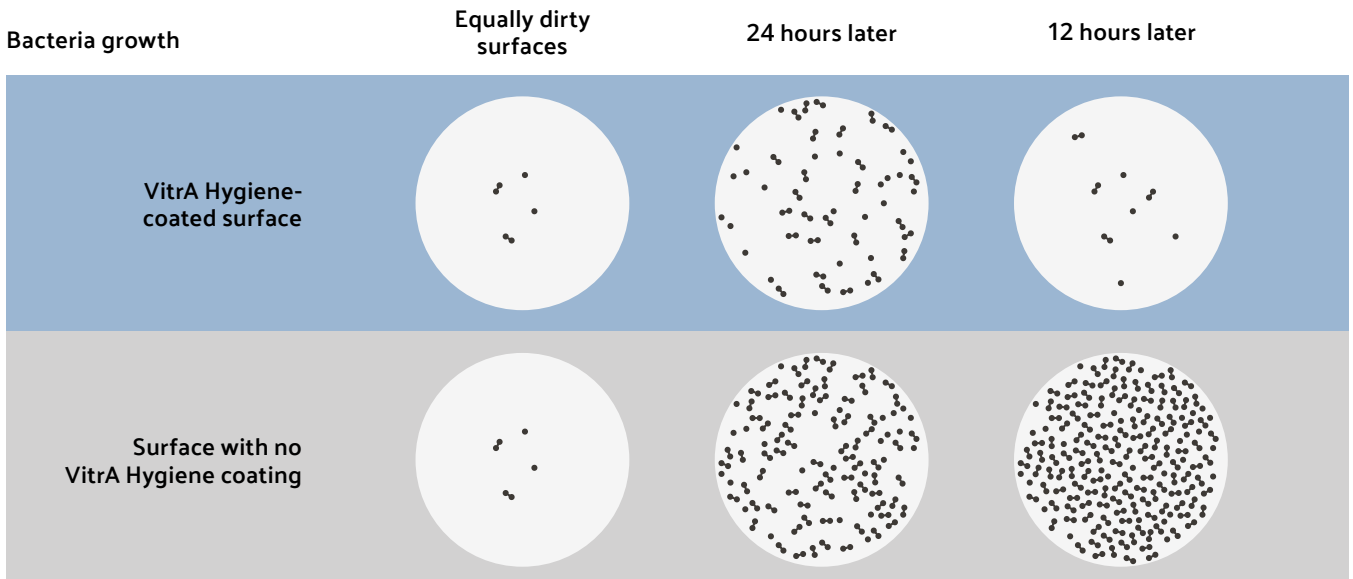
## Ion-rich technology that inhibits the growth of harmful bacteria

VitraA Hygiene, which coats all VitraA ceramicware, inhibits the growth of harmful bacteria by 99.9%. By disrupting the cellular structure of bacteria that cling to the surface during use, this proprietary glaze prevents them from proliferating into a colony.

Tests in accordance with the national and universal ISO 22196, JIS Z 2801, ASTM E 3031-15, and TSE 13420 protocols have verified the efficacy of VitraA Hygiene against gram negative (*Escherichia coli*) and gram positive (*Staphylococcus aureus*) strains.

The VitraA Hygiene glaze coats all external and internal surfaces prior to firing in a process that ensures lifetime VitraA Hygiene protection for VitraA ceramic sanitaryware even under the most intense usage conditions.

### Fewer chemicals and better hygiene with VitraA Hygiene







## Rimless WC that leaves no room for dirt

The Vitra Rim-ex system flushes every part of the Vitra wall-hung WC bowl, leaving bacteria nowhere to hide. Free of the channels that can harbour harmful bacteria and micro-organisms, the Vitra Rim-ex toilet is easier to clean and 95% more hygienic than standard pans. The triple-nozzle diverter and the smooth curvature of the bowl give a thorough and 25% more hygienic flush each time. \*\*Tests undertaken by Akdeniz University show that Rim-ex is easier to clean and 95% more hygienic than standard WC pans.



Channel-free WC bowl



Standard WC bowl with a channel





## Design that makes cleaning easy

Concealed installation is one of several ideas that ensure lasting hygiene for the Vitra wall-hung WC. The recessed installation detail and screws at the sides of standard wall-hung toilets are taken into the interior of Vitra wall-hung WC's. This leaves nowhere for dirt to hide and simplifies the cleaning of the entire surface.



WC with concealed installation



WC with standard installation

VitrA





## Easy to install, easy to maintain

Hidden plumbing and power connections simplify installation and make the Vitra Smart Toilets very easy to clean. Equipped with a limescale reducer, the Vitra Smart Toilets are suitable for use across the world from the hardest water areas through to the softest.



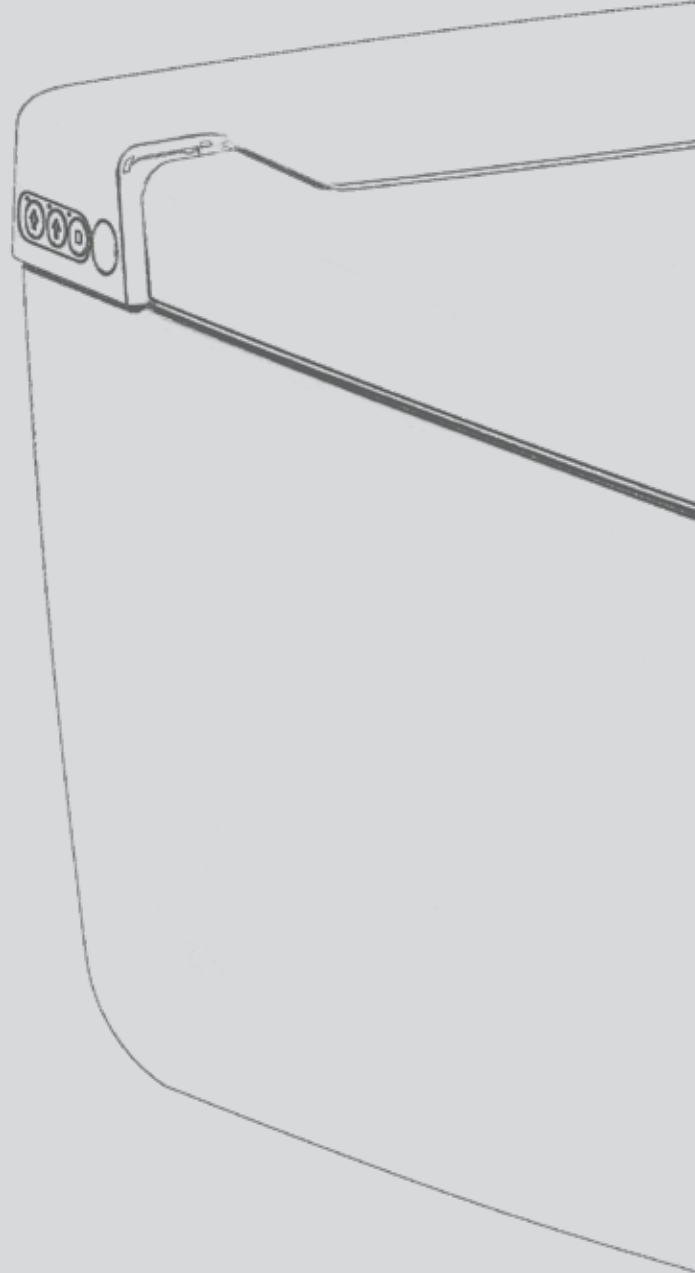
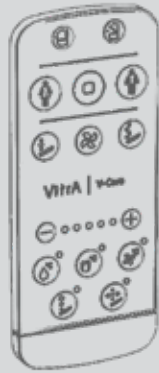
## Refreshingly clean

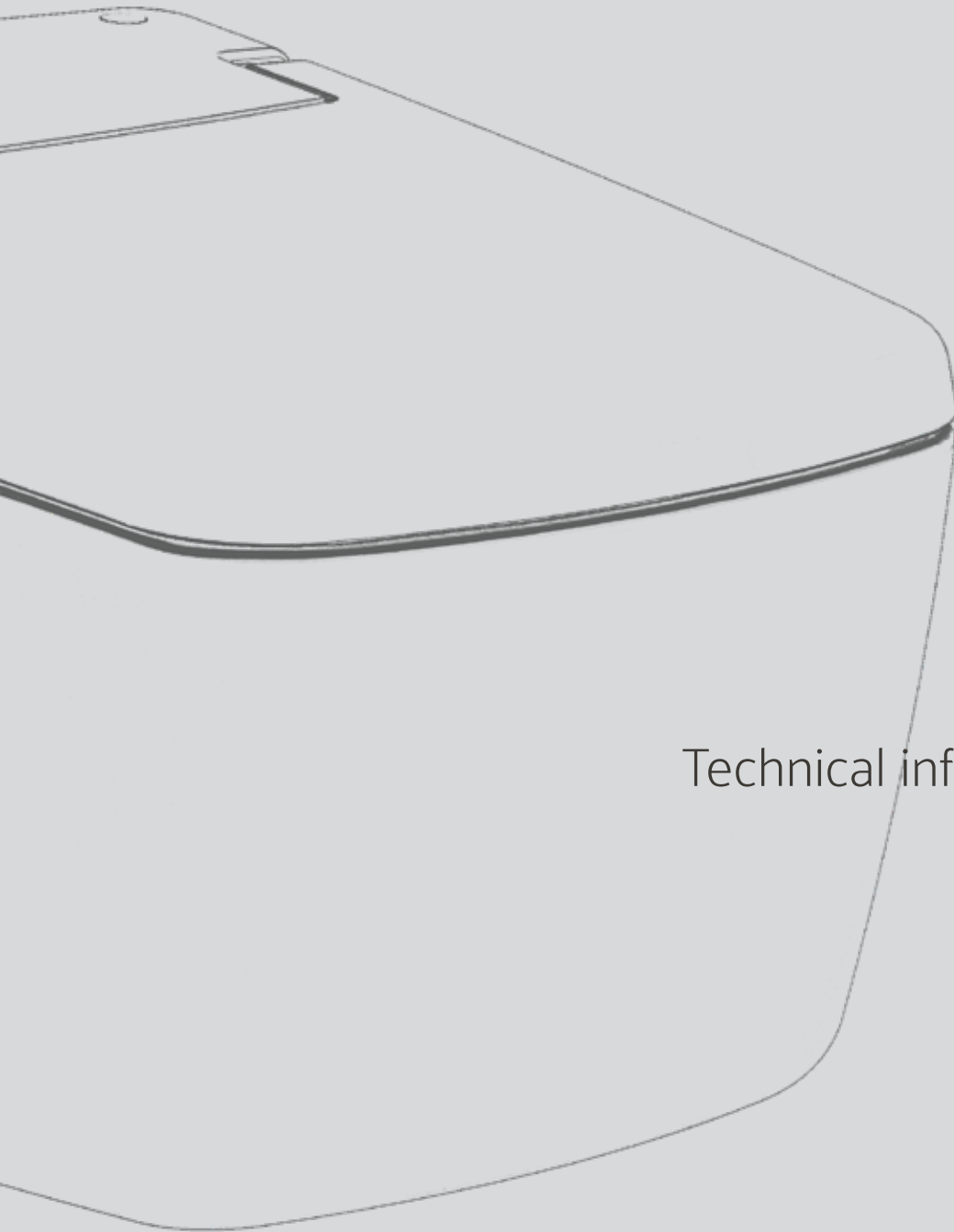
V-Care Smart Toilets comply with DIN EN 1717 regulations to ensure your household water supply does not become contaminated.











Technical information

# V-Care Smart Toilets



	Features	Prime Wall-Hung	Prime Floor-standing
Personal Hygiene	Rear Wash	✓	✓
	Front Wash (Lady Wash)	✓	✓
	Oscillating Washing	✓	✓
	Pulsating Washing (Massage Wash)	✓	✓
	Removable Nozzle	✓	✓
	Nozzle Position Adjustment	5 levels	5 levels
	Adjustable Water Pressure	5 levels	5 levels
	Heated Water	✓	✓
	Adjustable Water Temperature	5 levels	5 levels
Comfort	Warm Air Dryer	✓	✓
	Adjustable Dryer Temperature	5 levels	5 levels
	Air Purification	✓	✓
	Heated Seat	✓	✓
	Adjustable Seat Temperature	5 levels	5 levels
	Auto Open/Close Seat & Lid	✓	✓
	Soft-Close Seat & Lid	✓	✓
	Remote Control	✓	✓
	V-Care Smart Toilet App	✓	✓
Night Light	✓	✓	
Hygiene	VitrA Rim-Ex	✓	✓
	VitrA Hygiene	✓	✓
	VitrA Clean	✓	✓
	Nozzle Self-Cleaning	✓	✓
	Quick Release System	✓	✓
Additional Features	Silent Mode	✓	✓
	Child Mode	✓	✓
	Power Saving Mode	✓	✓
	Descaling Mode	✓	✓
	Diagnostics Function	✓	✓
	Concealed Electricity & Water Connection	✓	✓
Technical Data	EN1717 Compatibility	✓	✓
	Seat & Lid Material	Nuvoplast	Nuvoplast
	Bluetooth	Bluetooth 4.2	Bluetooth 4.2
	Wi-Fi	802.11b/g/n	802.11b/g/n
	Power Supply	220 - 240 V AC	220 - 240 V AC
	Frequency	50 / 60 Hz	50 / 60 Hz
	Water Pressure	0.069 MPa - 0.735 Mpa	0.069 MPa - 0.735 Mpa
	Flush water volume	3 / 6 L	3 / 6 L
	Max Power Consumption	714~846W	714~846W
	Water Temperature	30°C-42°C	30°C-42°C
	Seat Temperature	30°C-42°C	30°C-42°C
Dryer Temperature	12°C-38°C	12°C-38°C	



Vitra

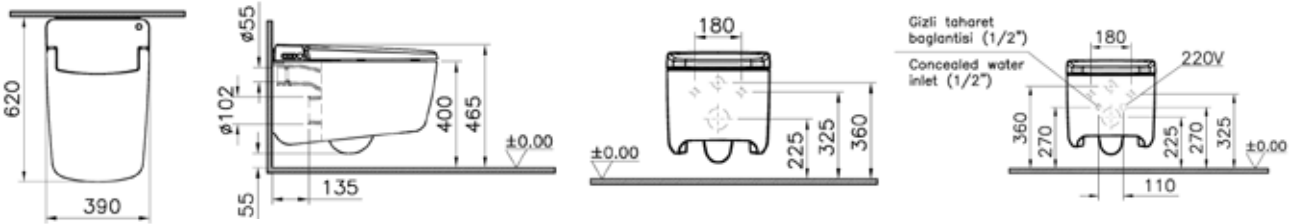


Prime

### V-Care Prime Wall-Hung WC 7231B403-6216



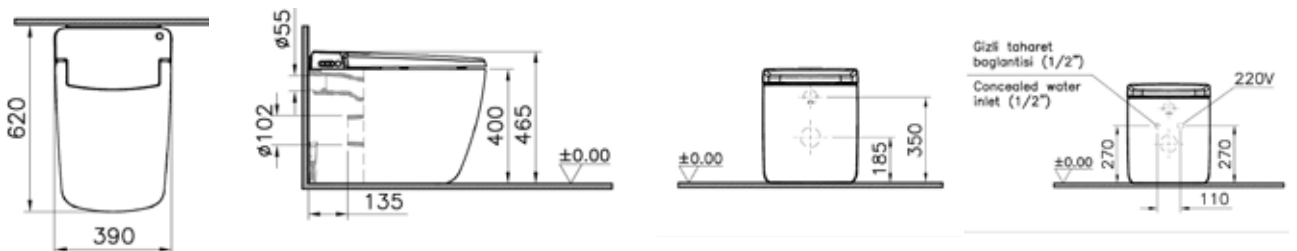
WxDxH (mm): 390x620x410  
Rim-ex  
Concealed water inlet (1/2 ")  
Nuvoplast seat



### V-Care Prime Floor-standing Back to wall WC 7232B403-6217



WxDxH (mm): 390x620x465  
Rim-ex  
Universal outlet  
Concealed water inlet (1/2 ")  
Nuvoplast seat



VitrA



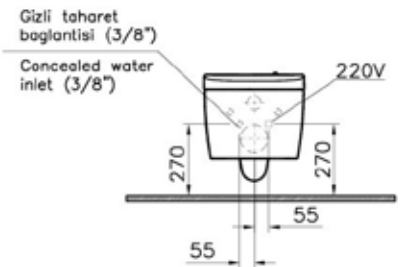
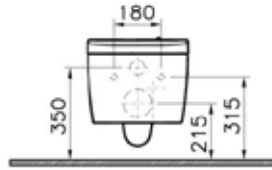
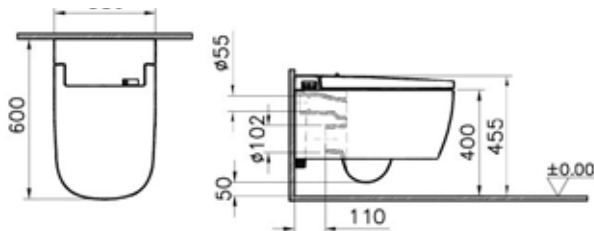
Comfort & Basic





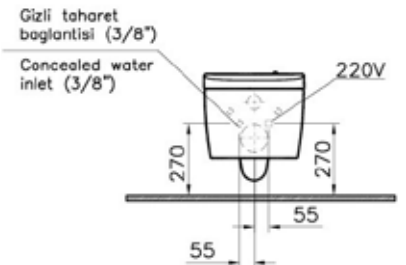
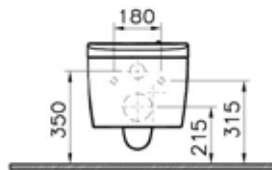
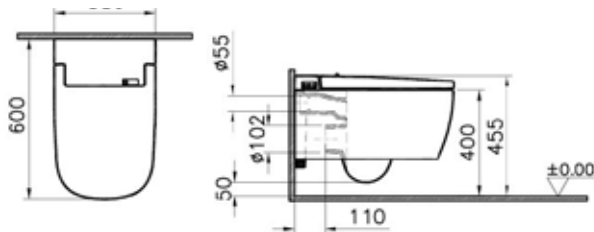
**V-Care Comfort Wall-Hung WC**  
5674B403-6194

WxDxH (mm): 398x600x415  
Rim-ex  
Concealed water inlet (1/2 ")  
Nuvoplast seat



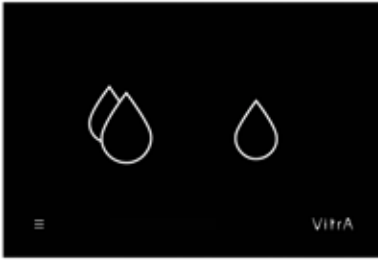
**V-Care Basic Wall-Hung WC**  
5674B403-6193

WxDxH (mm): 398x600x415  
Rim-ex  
Concealed water inlet (1/2 ")  
Nuvoplast seat



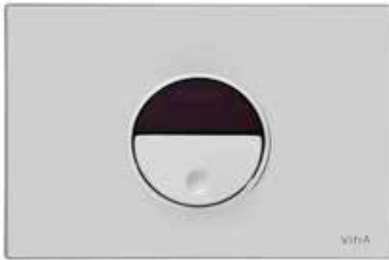
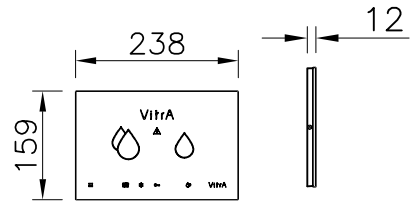


Flush plates



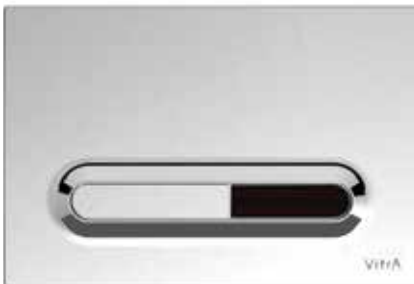
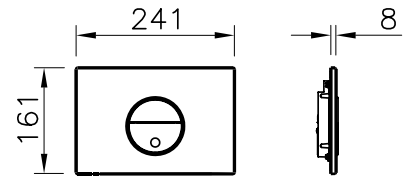
**Smart Panel**  
Electronic flush plate\*

- Dual flush
  - 1.5kg
  - Glass
  - 748-1501 - Black
  - 742-1501 - Black
- Compatible with:  
748 flush plate to be used with 748 slim frame  
742 flush plate to be used with regular 742 frame
- \* Must be used with 300-1028



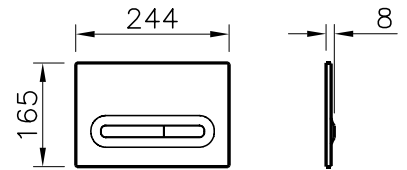
**Pro- Touchless**  
Electronic flush plate\*

- Dual flush
  - 0.5kg
  - Stainless Steel
  - 748-1421 - Chrome
  - 748-1440 - Brushed Chrome
  - 748-1420 - Gold
  - 742-1421 - Chrome
  - 742-1440 - Brushed Chrome
  - 742-1420 - Gold
- Compatible with:  
748 flush plate to be used with 748 slim frame  
742 flush plate to be used with regular 742 frame
- \* Must be used with 300-1028



**Loop T - Touchless**  
Electronic flush plate\*

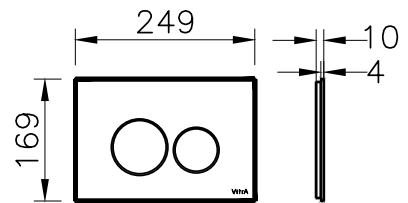
- Dual flush
  - 0.5kg
  - ABS Plastic
  - 740-0880 - Chrome
  - 740-0885 - Matt Chrome
  - 742-0880 - Chrome
  - 742-0885 - Matt Chrome
- Compatible with:  
740 flush plate to be used with 748 slim frame  
742 flush plate to be used with regular 742 frame
- \* Must be used with 300-1028





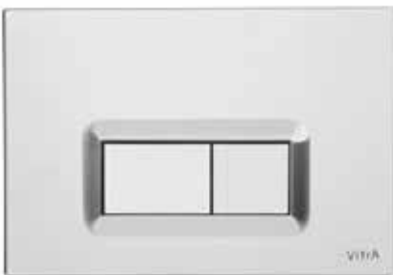
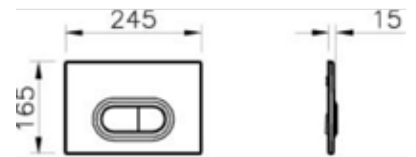
**Origin**  
Mechanical flush plate

- Dual flush
  - 0.5kg
  - Glass
- 740-1600 - White  
740-1601 - Black  
740-1602 - Taupe  
740-1603 - Mink  
Compatible with:  
748-frames and 742-frames



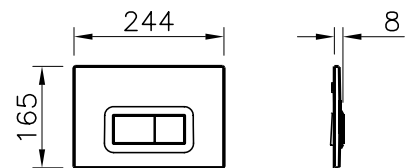
**Loop O**  
Mechanical flush plate

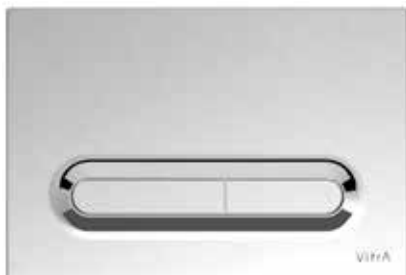
- Dual flush
  - 0.5kg
  - ABS Plastic or Stainless Steel
- 740-0500 - Gloss White  
740-0511 - Matt Black  
740-0580 - Chrome  
740-0585 - Matt Chrome  
740-0586 - Anti-fingerprint  
740-0940 - Stainless Steel  
Compatible with:  
748-frames and 742-frames



**Loop R**  
Mechanical flush plate

- Dual flush
  - 0.5kg
  - ABS Plastic
- 740-0600 - Gloss White  
740-0611 - Matt Black  
740-0680 - Chrome  
740-0685 - Matt Chrome  
740-0686 - Anti-fingerprint  
Compatible with:  
748-frames and 742-frames

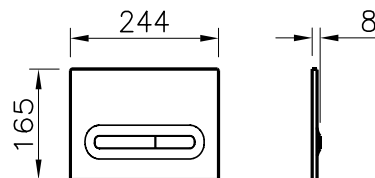




### Loop T

Mechanical flush plate

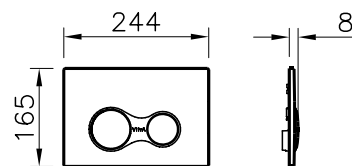
- Dual flush
  - 0.5kg
  - ABS Plastic
- 740-1700 - Glass White  
740-1711 - Matt Black  
740-0780 - Chrome  
740-0785 - Matt Chrome  
740-0786 - Anti-fingerprint
- Compatible with:  
748-frames and 742-frames



### Sirius

Mechanical flush plate

- Dual flush
  - 0.5kg
  - ABS Plastic
- 740-0400 - Gloss White  
740-0411 - Matt Black  
740-0480 - Chrome  
740-0485 - Matt Chrome  
740-0486 - Anti-fingerprint
- Compatible with:  
748-frames and 742-frames



### Electronic mechanism installation set

300-1028

Must be used with all electronic flush plates  
Set must be installed during wall construction

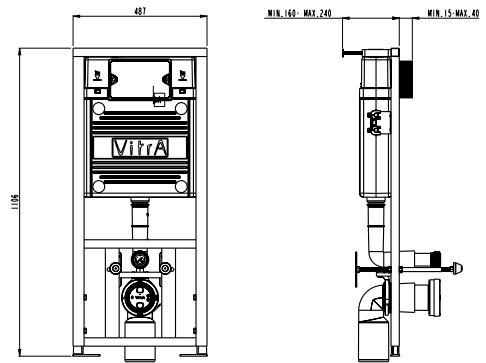


Frames and concealed cisterns



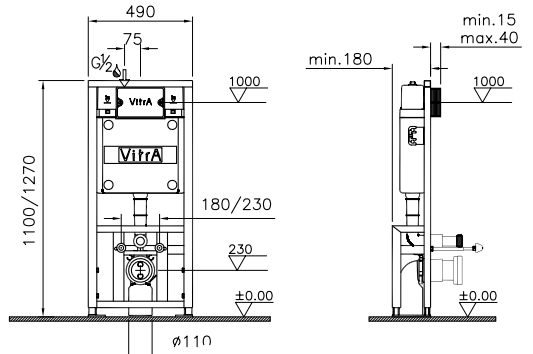
**Regular Frame for Wall-hung WC Pans**  
742-5800-01 - 3/6 litre

- Floor and wall fixation
  - Dual flush
  - 3/6 L
  - 16kg
- Installation type -  
Rapid, solid wall  
Front wall:  
Lightweight construction  
Back wall:  
Brick construction



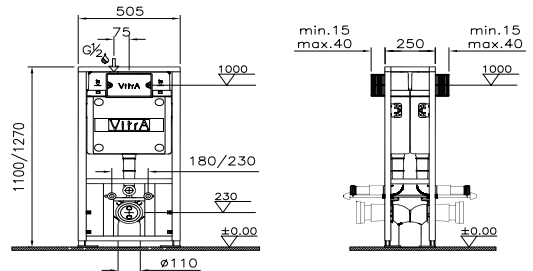
**Regular Frame for Wall-hung WC Pans**  
742-5805-01 - 3/6 litre

- Floor fixation
  - Dual flush
  - 3/6 L
  - 20kg
- Installation type -  
Rapid, solid wall  
Lightweight construction  
Back wall:  
Brick construction



**Regular Frame for Wall-hung WC Pans, back to back**  
742-5805-01 - 3/6 litre

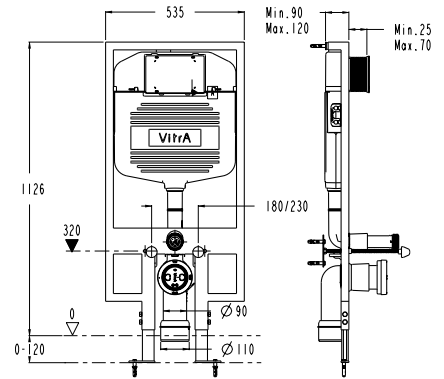
- Double floor fixation
  - Dual flush
  - 3/6 L
  - 20kg
- Installation type:  
Rapid, back-to-back  
Front wall:  
Lightweight construction





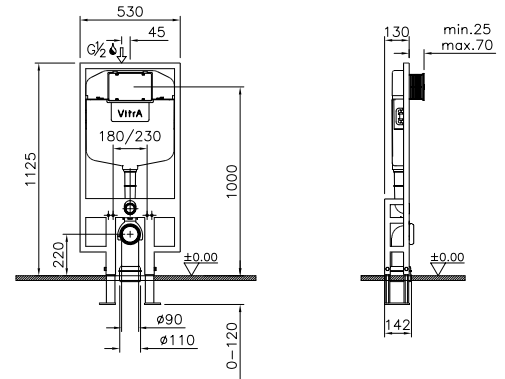
**Slim Frame for Wall-hung WC Pans**  
748-5800-01 - 3/6 litre

- Floor and wall fixation
  - Dual flush
  - 3/6 L
  - 18kg
- Installation type: Rapid, solid wall  
Front wall:  
Lightweight construction  
Back wall:  
Brick construction



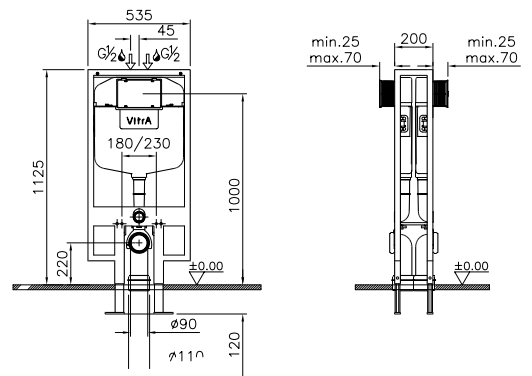
**Slim Frame for Wall-hung WC Pans**  
748-4800-01 - 3/6 litre

- Floor fixation
  - Dual flush
  - 3/6 L
  - 20kg
- Installation type: Rapid, solid wall  
Lightweight construction  
Back wall:  
Brick construction



**Slim Frame for Wall-hung WC Pans, back to back**  
748-5850-01 - 3/6 litre

- Double floor and wall fixation
  - Dual flush
  - 3/6 L
  - 20kg
- Installation type:  
Rapid, back-to-back  
Front wall:  
Lightweight construction

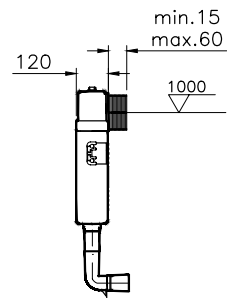
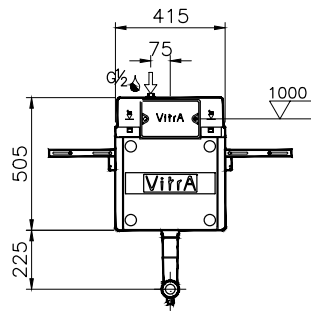




**Regular concealed cistern for Floor-standing WC Pans**  
742-1740-01



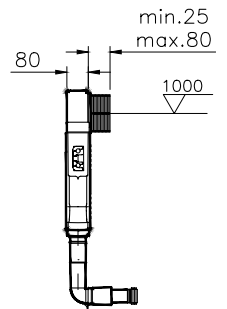
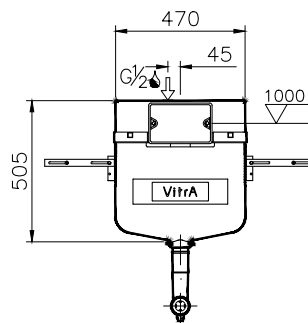
- Dual flush
- 3/6 L



**Slim concealed cistern for Floor-standing WC Pans**  
748-1740-01



- Dual flush
- 3/6 L



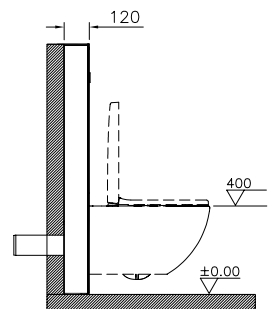
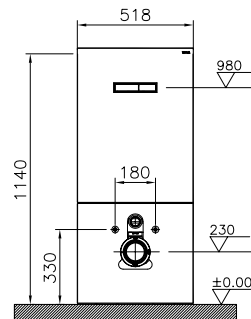
**Vitrus Glass Cistern, For Wall-hung WC pans**

770-5760-01, white

770-5761-01, black



- Easy to install
- Easy access should maintenance be needed
- Pre-wall application
- Dual flush
- 3/6 L



### **VitrA Turkey**

Büyükdere Cad. Ali Kaya Sok. No: 5  
Levent 34394 İstanbul, Turkey  
**Phone:** +(90 212) 350 80 00  
**Fax:** +(90 212) 350 84 45  
**www.vitra.com.tr**

### **VitrA UK**

Park 34 Collet Way,  
Didcot Oxon OX11 7WB, UK  
**Phone:** +(44 1235) 750 990  
**Fax:** +(44 1235) 750 985  
**www.vitra.co.uk**

### **VitrA Germany**

Agrippinawerft 24,  
50678 Cologne, Germany  
**Phone:** +49 (0) 221 / 27 73 68-0  
**Fax:** +49 (0) 221 / 27 73 68-500  
**www.vitra-bad.de**

### **VitrA France**

ZI. Le Poirier - CS 80019  
F - 28132 Nogent Le Roi CEDEX, France  
**Phone:** +33 (0) 2 37 38 69 92  
**Fax:** +33 (0)2 37 51 43 94  
**www.france.vitrabathrooms.com**

### **VitrA Italy**

Viale San Pietro 83  
41049 Sassuolo (Mo), Italy  
**Phone:** +39 0536 1818100  
**vitrabagno.it**

### **VitrA UAE**

2020 Building – Al Quoz 3 Plot 27  
Showroom No: 7 Sheikh Zayed Road – Dubai/UAE  
**Tel:** +971 (4) 547 8045  
**www.vitr global.com**

### **VitrA India**

F-001, F-002, F-003, 1st Floor 106,  
Vikas Centre, S V Road,  
Santacruz (West), Mumbai - 400054  
**www.vitra-india.com**

### **VitrA Russia**

9, Varshavskoe Highway, Bldg.1  
Danilovskaya Manufactory  
Block 'Sitsevy', 4 Entr., 1st Floor  
Moscow 117105 Russia  
**Tel:** +7 (495) 221 76 11 (ext. 1101)  
**www.vitra-russia.ru**

### **VitrA International**

Büyükdere Cad. Ali Kaya Sok. No: 5  
Levent 34394 İstanbul, Turkey  
**Phone:** +(90 212) 350 80 00  
**Fax:** +(90 212) 350 84 45  
**www.vitr global.com**  
**export@vitra.com.tr**



VitrA